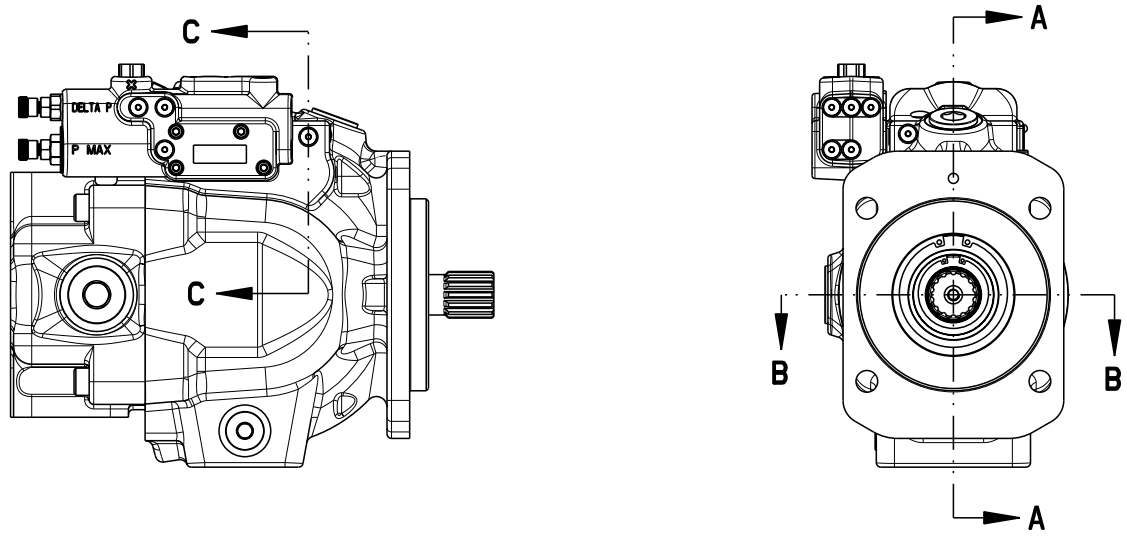
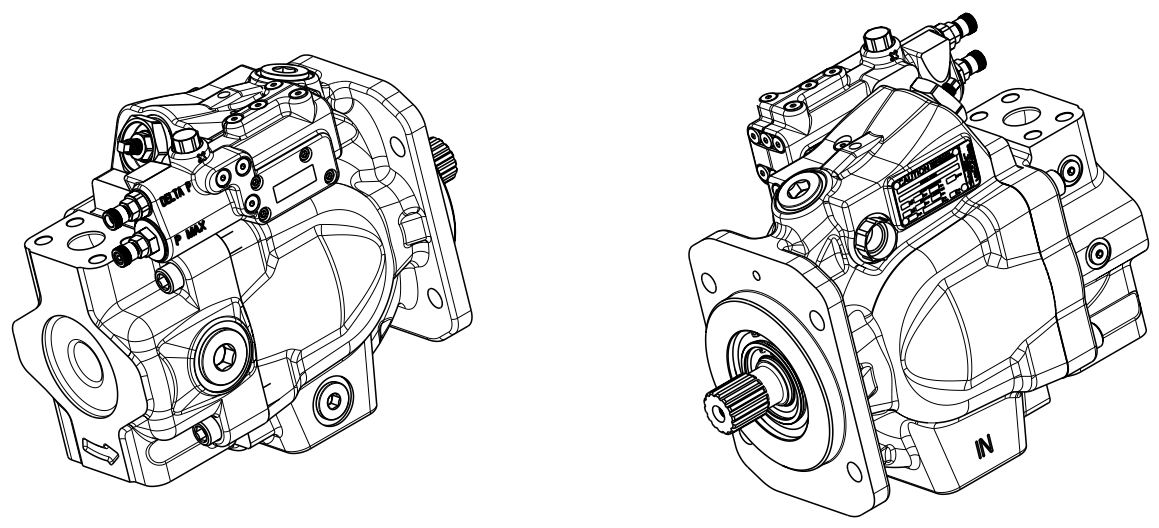
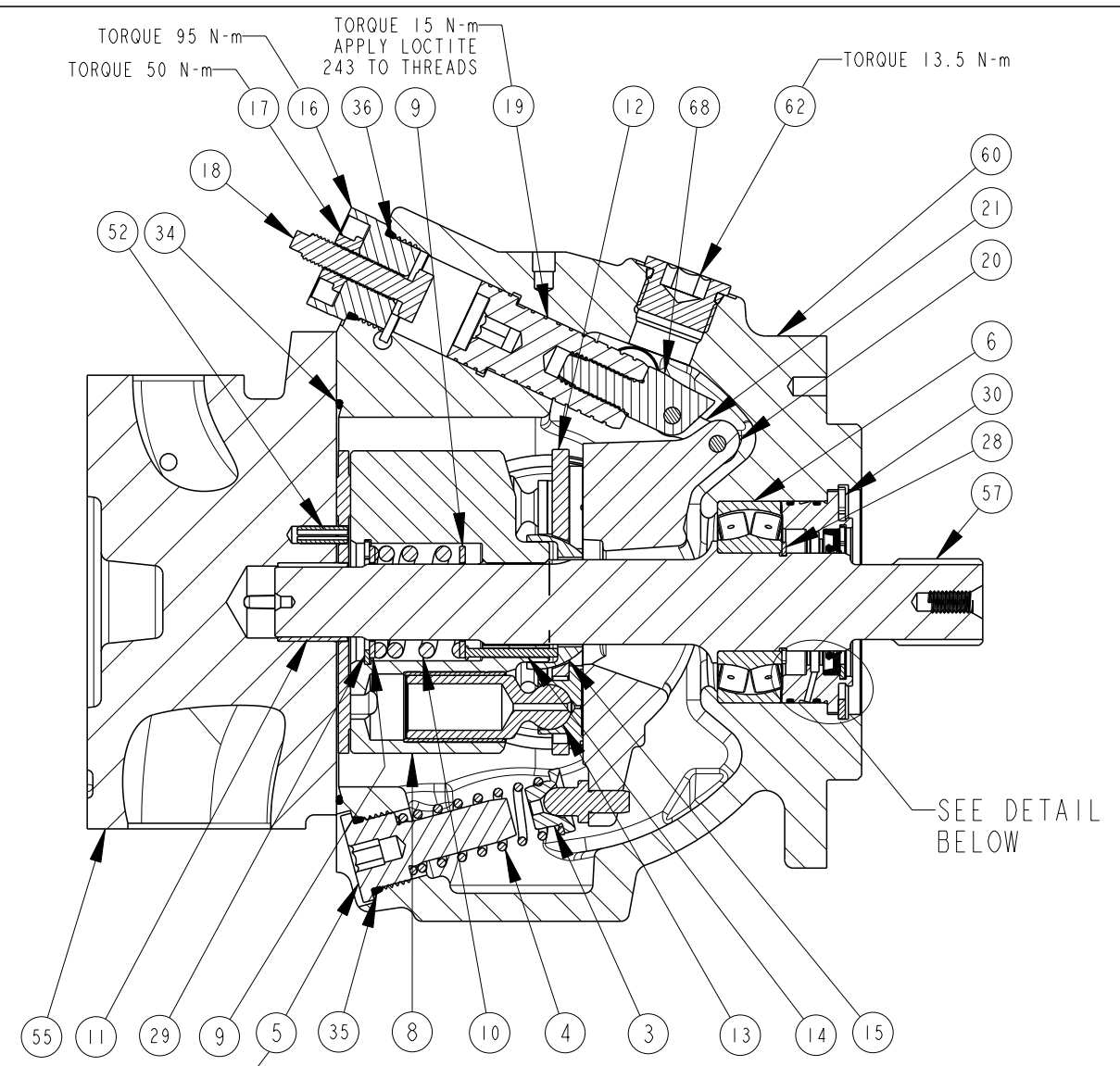


TITLE	DRAWING NUMBER	REVISION	STATUS	SHEET
SERVICE PARTS P2060 DESIGN SERIES 12	P2-060-0405	A	PR	1 OF 7

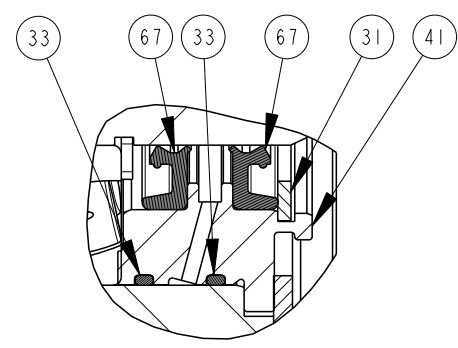
DRAWN BY	DATE	CHANGED BY	DATE	ECN NUMBER
STREHLOW	23NOV04	J. LAMBERS	30MAY06	134595



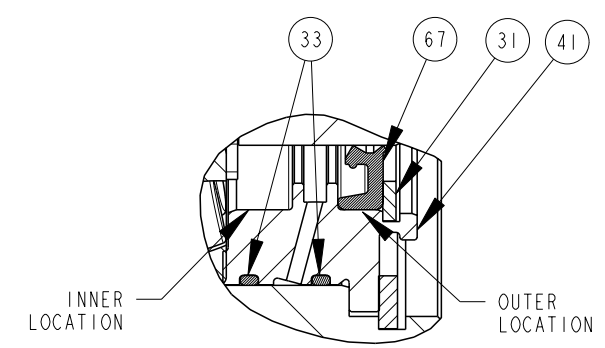
NOTES:
 1 PUMP SHOWN IS A RIGHT HAND (CW) ROTATION PUMP. LEFT HAND (CCW) ROTATION PUMPS HAVE OUTLET GAUGE PORT REVERSED.



SECTION A-A
SCALE 2:5



DUAL SHAFT SEAL ASSEMBLY
 P2-060-0210-02
 SECTION A-A
 SCALE 1:1



SINGLE SHAFT SEAL ASSEMBLY
 P2-060-0210-01
 SECTION A-A
 SCALE 1:1

