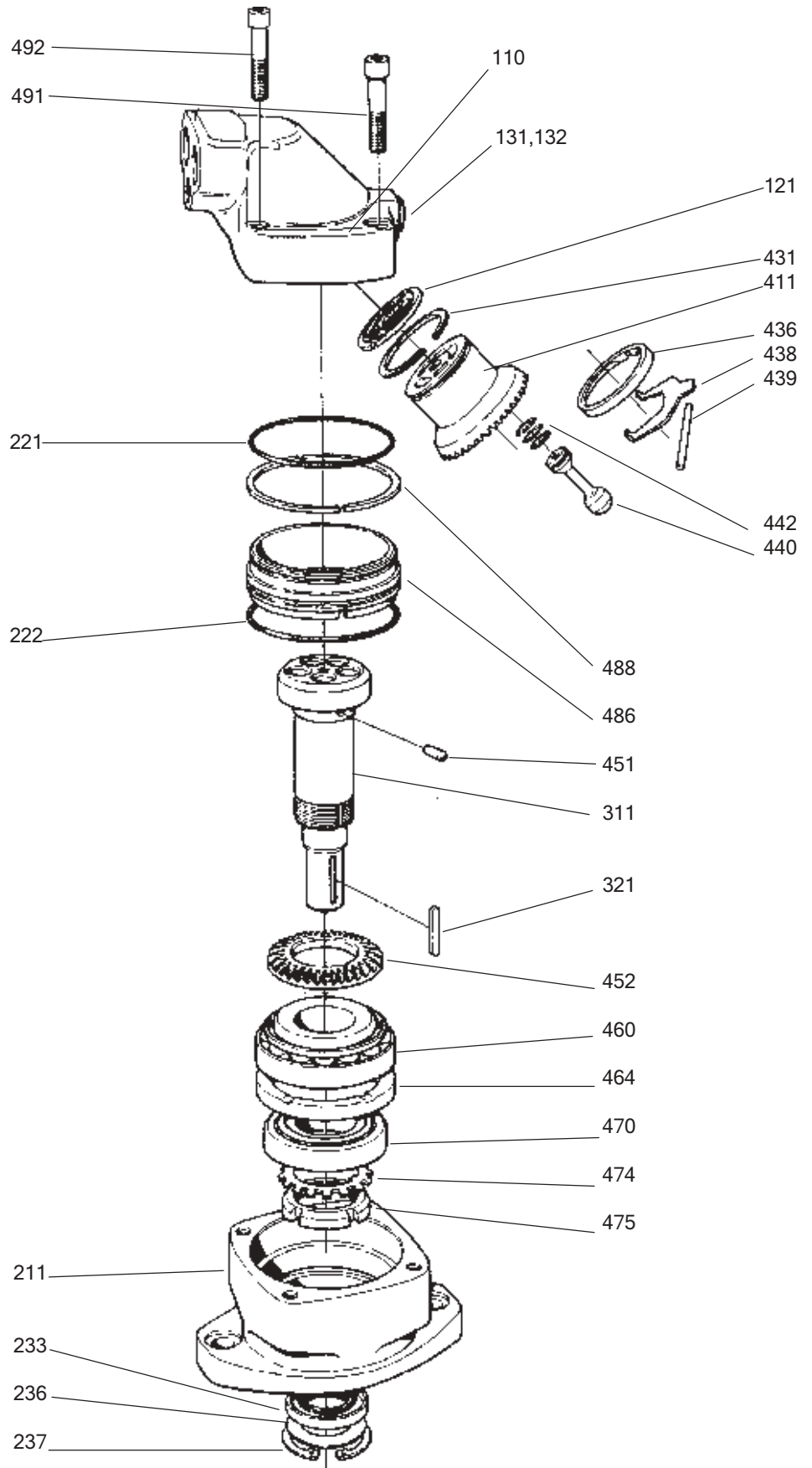


Item Title

- 110 Barrel Housing Assy
- 121 Valve Plate
- 131 Hex Socket Plug
- 132 Seal Washer
- 211 Bearing Housing
- 221 O-Ring
- 222 O-Ring
- 233 Shaft Seal
- 236 Back-up Ring
- 237 Retaining Ring
- 311 Shaft
- 321 Flat Key
- 411 Cylinder Barrel
- 415 Needle bearing
- 431 Barrel Retaining Ring
- 436 Bearing Ring
- 438 Leaf Spring
- 439 Pivot Pin
- 440 Piston Assy
- 442 Piston Ring
- 451 Pin
- 452 Ring Gear
- 460 Taper Roller Bearing
- 464 Spacer Ring
- 470 Taper Roller Bearing
- 474 Lock Washer
- 475 Round Nut
- 486 Guide Spacer
- 488 Shim
- 491 Hex Socket Screw



Item Title

- 111 End Cap
- 131 Hex Socket Plug
- 132 Seal Washer
- 211 Bearing Housing
- 222 O-Ring
- 223 O-Ring
- 224 O-Ring
- 233 Shaft Seal
- 236 Back-up Ring
- 237 Retaining Ring
- 311 Shaft
- 321 Flat Key
- 411 Cylinder Barrel
- 413 Spring Pin
- 414 Retaining Ring
- 415 Needle Bearing
- 422 Spacer Sleeve
- 423 Barrel Spindle
- 424 Sliding Plate
- 425 Taper Roller Bearing
- 426 Spacer Washer
- 427 Retaining Ring
- 428 Hex Socket Screw
- 429 Cap Plug
- 433 Disc Spring
- 440 Piston Assy
- 442 Piston Ring
- 451 Pin
- 452 Ring Gear
- 461 Taper Roller Bearing Cone
- 462 Taper Roller Bearing Cup
- 464 Spacer Ring
- 470 Taper Roller Bearing
- 474 Lock Washer
- 475 Round Nut
- 481 Barrel Housing
- 488 Shim
- 491 Hex Socket Screw
- 493 Hex Socket Screw

